

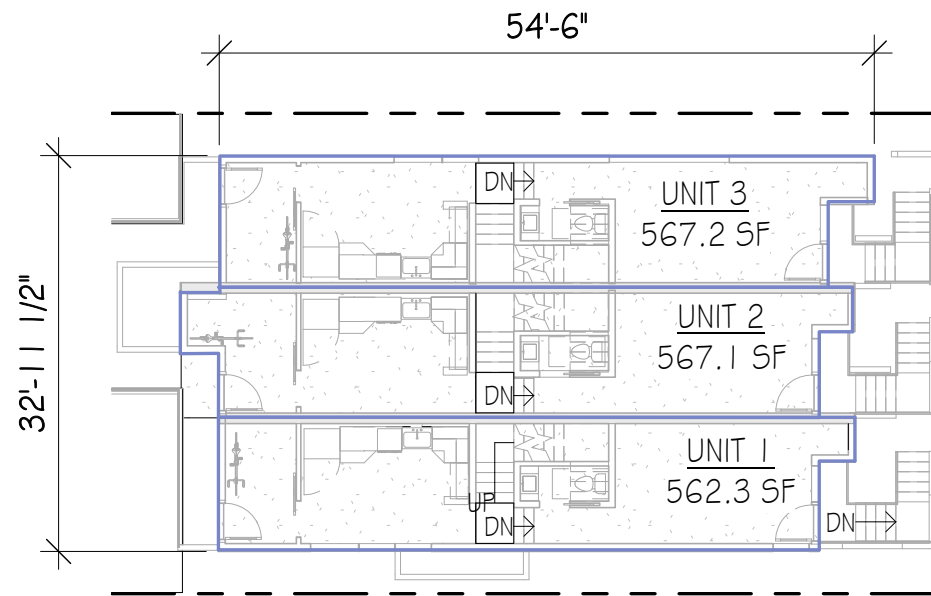
MARKETING PLANS X10

PROJECT SDCI #: 6642623

PROJECT ADDRESS:
2027 DEXTER AVE N
SEATTLE, WA
930130-1020

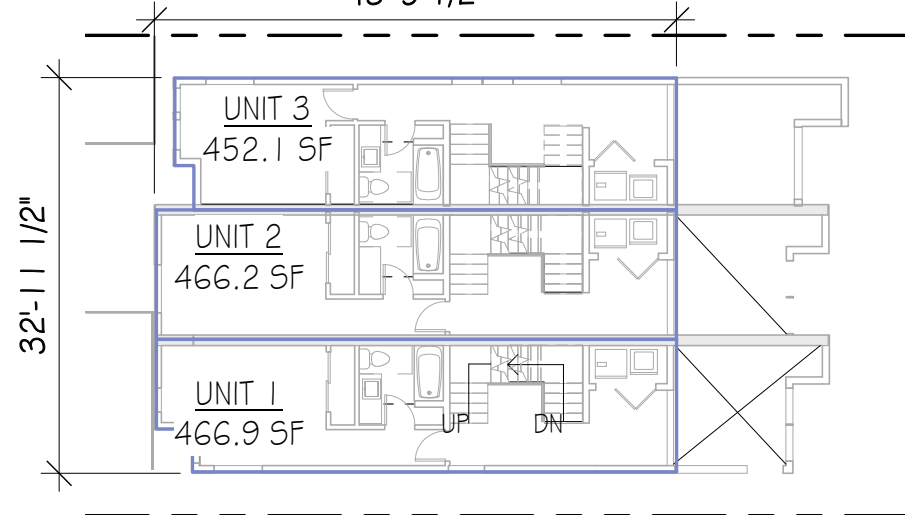
PARCEL #: 3378.0 SF

LOT SIZE: 3378.0 SF
ZONE: LR 3



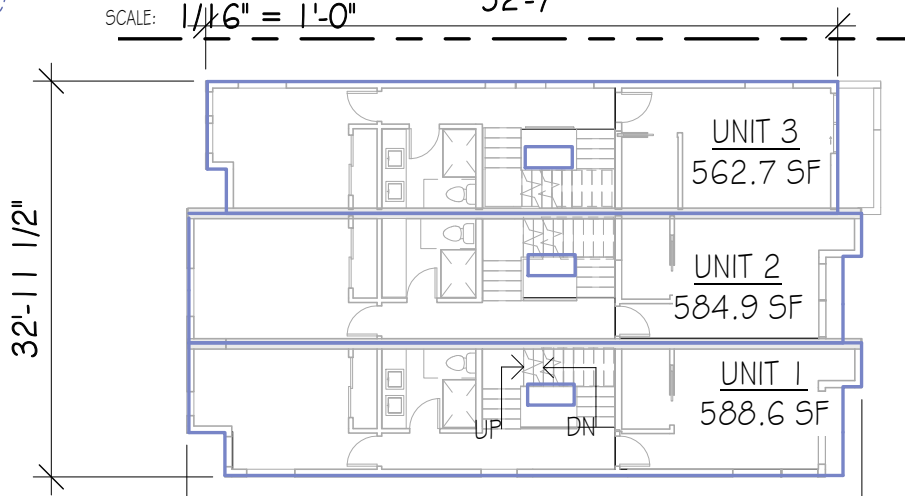
LEVEL 1

SCALE: 1/16" = 1'-0"
43'-5 1/2"



LEVEL 2

SCALE: 1/16" = 1'-0"
52'-7"

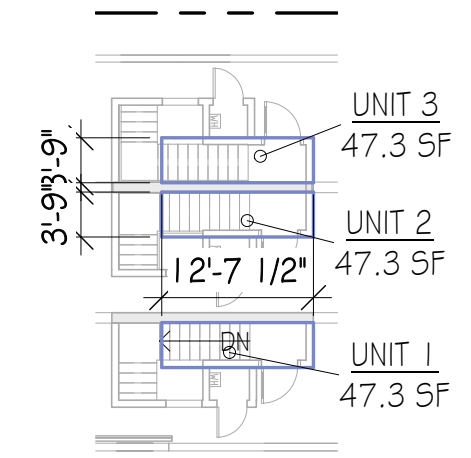


LEVEL 3

SCALE: 1/16" = 1'-0"

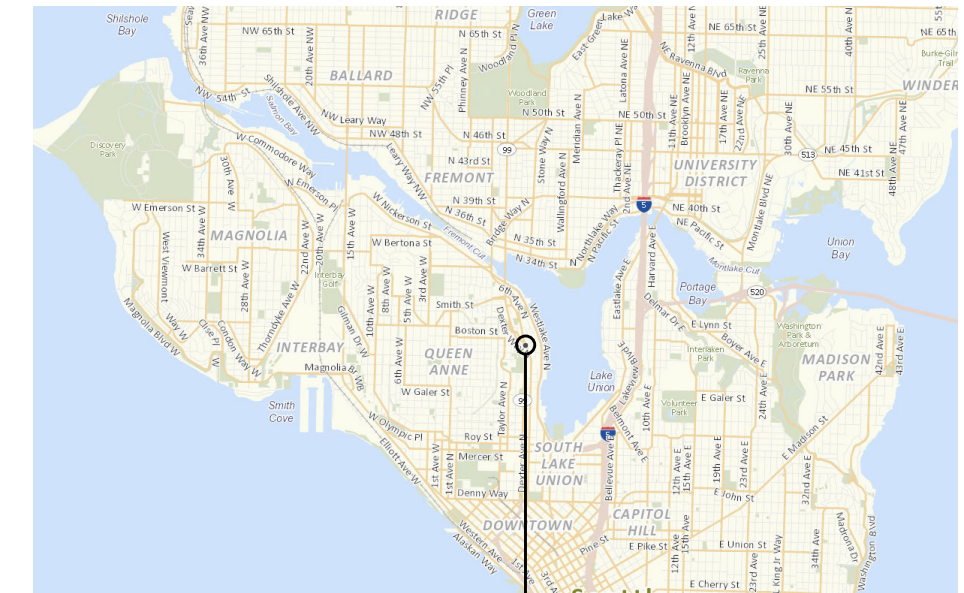
GROSS BUILDING...

AREA NAME	AREA	LEVEL
UNIT 1	562.3 SF	LEVEL 1
UNIT 1	466.9 SF	LEVEL 2
UNIT 1	588.6 SF	LEVEL 3
UNIT 1	47.3 SF	ROOF PLAN
UNIT 1 TOTAL	1665.1 SF	
UNIT 2	567.1 SF	LEVEL 1
UNIT 2	466.2 SF	LEVEL 2
UNIT 2	584.9 SF	LEVEL 3
UNIT 2	47.3 SF	ROOF PLAN
UNIT 2 TOTAL	1665.5 SF	
UNIT 3	567.2 SF	LEVEL 1
UNIT 3	452.1 SF	LEVEL 2
UNIT 3	562.7 SF	LEVEL 3
UNIT 3	47.3 SF	ROOF PLAN
UNIT 3 TOTAL	1629.3 SF	
TOTAL	4959.9 SF	



ROOF PLAN

SCALE: 1/16" = 1'-0"



VICINITY MAP

